

Parallel kobling af strømforsyninger.

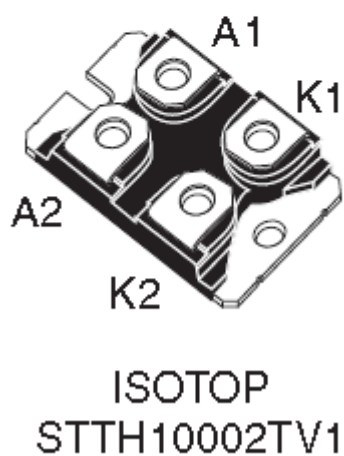
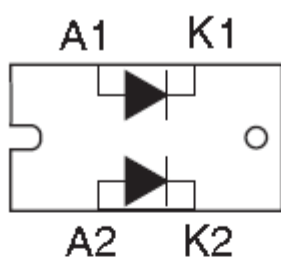
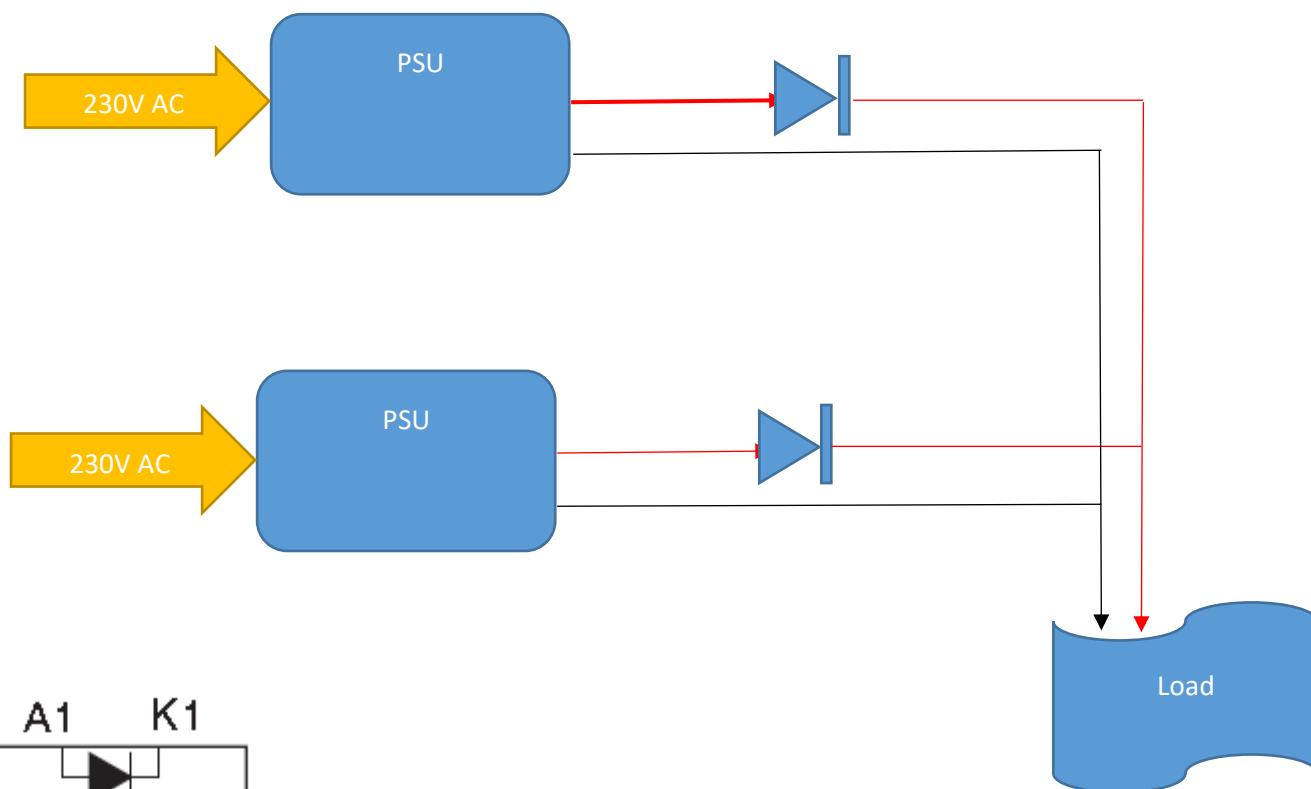


Table 1. Device summary

$I_{F(AV)}$	2 x 50 A
V_{RRM}	200 V
$T_j(\text{max})$	150 °C
$V_F(\text{typ})$	0.72 V
$t_{tr}(\text{typ})$	30 ns